

# THE ORIGINAL

## UNDERSINK BOILING WATER UNIT

### BOILING WATER IDEAL FOR TEA, COFFEE!

- The unit is located under the sink.
- The copper body comprises a storage tank and an expansion chamber.
- Element controls temperature with built in computer.
- Solid brass, rapid action, 1/4 turn lever tap handle or spring loaded tap handle.
- Solid brass swivel bi-flo spout.
- No expensive pumps, solenoid valves or drainage required.

A 350 kpa pressure limiting valve must be fitted for maximum efficiency (for pressure above 600kpa)

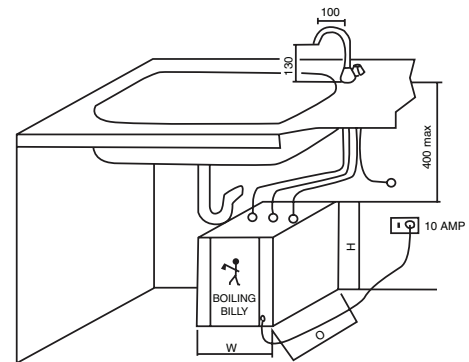
We recommend a filter system to be fitted to all units

#### OPTIONAL:

- 4,8, & 6kw for TD5 only
- Safety Package
- Anti-leak device



35Φ  
Mounting Hole



#### SPECIFICATIONS

#### ONE CUP (200ML CUPS)

BOILING BILLY UNDERSINK SERIES	Model No.	Capacity Litres	No. Of Cups	Cup/Hr Recovery	Rating Kw	Height mm	Width mm	Depth mm
	TD 1.25	1.25	10-13	90	1.8	335	180	150
	TD 2.5	2.5	15-20	110	2.4	325	245	290
	TD 5	5	30-40	110	2.4	480	245	290

Specifications are subject to change without notice.

# ULTIMIX BOIL'N CHILL UNIT

## THE ULTIMATE UNDER SINK BOIL AND CHILL UNIT.

- All fittings are supplied for installation of boiling & chilled.
- Modules. i.e. filter system for all areas and combined dual check valve with 350 kpa P.L.V Anti Leak Device
- 10 amp power supply is for standard installation.
- Connect to cold water supply. The water supply must be potable.
- Boiling water module to be connected under bench, only the tap dispenser to be visible.
- Solid brass tap.
- Ceramic disc lever action tap handle.
- Electronic control unit is an integral part of the element, which maintains a temperature within one degree celsius of set point - boil dry protection and micro temp protect circuitry.
- No expensive pumps, solenoid valves.
- Venturi system only requires water pressure to operate

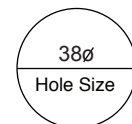
Example if boiling and ambient filtered water is required, specify BBM (check specifications sheet)

### OPTIONAL

- Remote controlled boiling water safety cut off system
- Under bench: Square and Round

### DIMENSIONS

Font	Outside Dimensions	Outlet Dimensions
Round	170mm	16mm
Square	200 x 200mm	170 x 170mm



# ULTIMIX SPECIFICATIONS

## Combined Boiling & Chilled Filter Models

Model No	Boiling No	Rating	Cups P/H	H	W	D	Chilled-Cups P/H	Litres P/H	H	W	D
BBCM10/40	10	1.8	90	335	180	150	40	8	280	205	405
BBCM20/40	20	2.4	110	325	245	290	40	8	280	205	405
BBCM20/80	20	2.4	110	325	245	290	80	10-14	250	180	500
BBCM40/40	40	2.4	110	480	245	290	40	8	280	205	405
BBCM40/80	40	2.4	110	480	245	290	80	10-14	250	180	500

Optional 3, 4.8, 6w - BBCM 40/40 & BBCM40/80

## Combined Boiling and Ambient Filtered Models

Boiling Module	Number of Cups	Cups/hr recovery	Rating Kw	Height mm	Width mm	Depth mm
BBM10	10	90	1.8	335	180	150
BBM20	20	110	2.4	325	245	290
BBM40	40	110	2.4	480	245	290

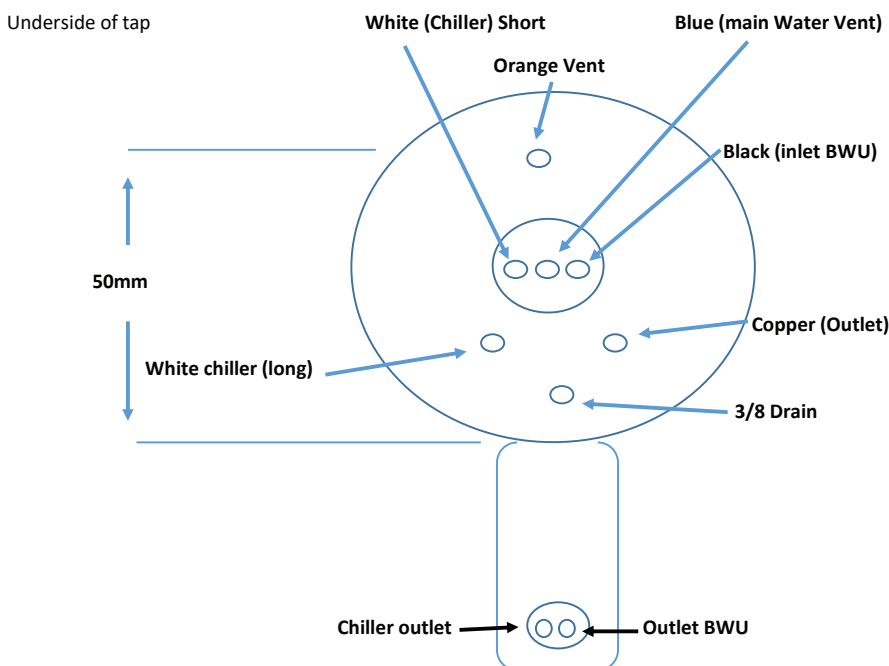
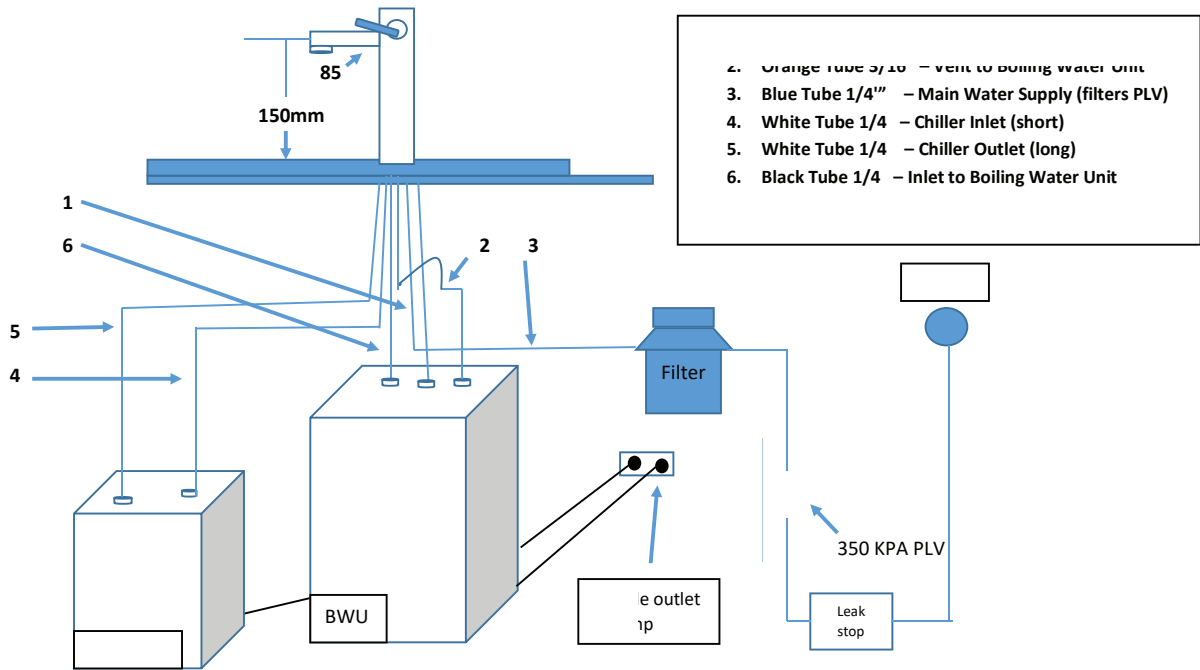
## Combined Chilled and Ambient Filtered Models

Chilled Module	Cups per hour	Litres per Hour	Height mm	Width mm	Depth mm
BCM10	40	8	280	205	405
BCM20	100	10-14	250	180	500
BCM40	150	20	320	330	470

Boiling water + 200ml Chilled water cups + 160ml

Specifications are subject to change without notice

# ULTIMIX INSTALLATION



# WARRANTY

## WARRANTY CONDITIONS

1. The boiling water unit must be installed to comply with all relevant statutory and local requirements for the area where the boiling water unit is installed.
2. The boiling water unit must be installed in accordance with manufacturers installation instructions supplied with the unit.
3. When a boiling water unit is repaired or replaced under this warranty, the component or boiling water unit replaced does not have the benefit of a new warranty and only the balance of the original warranty period will remain effective.
4. Only the boiling water unit and genuine company replacement parts are covered by this warranty. Electrical or plumbing parts supplied by the installer are not covered by this warranty.
5. The cost of insurance, travelling and transport between the installed site and the nearest manufacturers authorised agents premises will be to the account of the customer where unit is installed outside the boundaries of the metropolitan area as defined by the manufacturer or beyond 25km from a manufacturers or an authorised agent in a regional town or centre.
6. Where a filter is specified by the manufacturer or supplied as original equipment with the boiling water unit, the filter that is specified or supplied must be fitted on the cold water supply to the boiling water unit, and maintained by the owner in a serviceable and working condition, while ever the boiling water unit is in service. Failure to fit and maintain the filter will render this warranty void.

Guarantee period - Twelve (12) months from the date of sale by Wiffen Products Pty. Ltd or Twentyfour (24) months from date of manufacture by Wiffen Products Pty. Ltd., whichever period shall first expire.

## WARRANTY EXCLUSIONS

The warranty may become void by the following exclusions and service charge for labour and parts (if necessary) could become a cost to the owner.

1. Failure due to misuse and/or incorrect installation; Acts of God; Water conditions; Accidental Damage; Unauthorised attempts at repair of the boiling water unit.
2. Where there is a failure of the electricity or water supply; where water leaks are caused by the plumbing and not the boiling water unit or its components; where there is no flow of hot water due to faulty plumbing or a filter blockage; where the complaint is related to low or high water pressure or excessive water pressure; where it is found that there is nothing wrong with the boiling water unit.
3. Repairs to a boiling water unit due to scale formation or where the boiling water unit has been fitted to a hard or harmful water supply or the recommended or supplied filter has not been fitted and maintained.
4. Where the boiling water unit has been installed in a position that does not comply with the manufacturers installation instructions or relevant statutory requirements or subject to any statutory provisions to the contrary claims for damage to walls, furniture, carpets, foundations or the need for major dismantling or removal of cupboards, doors or walls or any other consequential loss either directly or indirectly due to leakage from a boiling water unit. Chiller units have a twelve month warranty on parts and labour from date of sale. Chiller units have the same warranty exclusions as boiling water units.